

Open Square 4" Linear LED

Lumenera OS4

| | |
|-------------|------|
| PROJECT | |
| FIXTURE | |
| FIXTURE | |
| APPROVED BY | DATE |
| NOTES | |
| | |

Applications

Office Buildings, Schools, Hospitality, Healthcare, Retail.

Housing

Extruded aluminum housing and steel end plates, powder coated matte white finish. Custom colors are available. Integrated driver box housed on roof of fixture and is painted to match housing. For remote driver, please specify.

Electrical

Philips Xitanium Universal LED Drivers (120-277V) and Philips Fortimo LED Boards (83 CRI – Consult RLE for higher CRI) compatible with 0-10V dimming systems to deliver reliably smooth dimming performance down to a minimum of 1%. Dimming must be specified in the part number. Drivers can be calibrated by RLE for specific lumen output. High output is available – consult with factory. Standard Output is 15W per foot (two board rows) for downlights, and 7.5W per foot for uplights. Minimum operation temperature is -25 C and maximum operation temperature is 50 C.

Optics

Interior Reflector made from extruded aluminum and is powder coated matte white finish; 30% gloss factor which is 94% reflective for smooth light distribution. The upright optic is a frosted spread lens for high transmission and smooth illumination.

Mounting

For pendants; White rounded power cable is an SJ18/3 conductor wire; To canopy mounted to ceiling J-Box.

Joining

For continuous runs, factory will provide four 1" steel pins at the end of each module which are inserted in the side grooves of the extrusion. These pins are then inserted into the joining module and our secured at the roof of the housing by a single point mounting plate that straddles the two joining modules. Each module in the run is labeled for easy field installation.

Warranty/Certification

- Drivers and LED boards are rated for 50,000 hours; 5 Year Warranty
- ARRA Compliant
- UL and cUL Listed



DOWNLIGHT LUMENS / WATTS

| OUTPUT | WATTS/FT. | LUMENS/FT. |
|---------------|-----------|------------|
| STANDARD (ST) | 15 | 1217 |

Lumen results are shown as 4000K

UPLIGHT LUMENS / WATTS

| OUTPUT | WATTS/FT. | LUMENS/FT. |
|---------------|-----------|------------|
| STANDARD (ST) | 7.5 | 1000 |

Options

| | |
|--------------|-----------------------|
| DIM | Dimmable |
| EM | Emergency |
| EMC | Emergency Circuit |
| 2C | Two Circuit |
| 2CD | Two Circuit, Dimmable |
| W | White |
| BLK | Black |
| SVR | Silver |
| I | Integrated |
| R | Remote |
| D | Down |
| DU | Down/Up |
| ST-D | Standard Downlight |
| STT-U | Standard Uplight |
| 30K | 3000K |
| 35K | 3500K |
| 40K | 4000K |
| 50K | 5000K |
| 48AC | 48" |

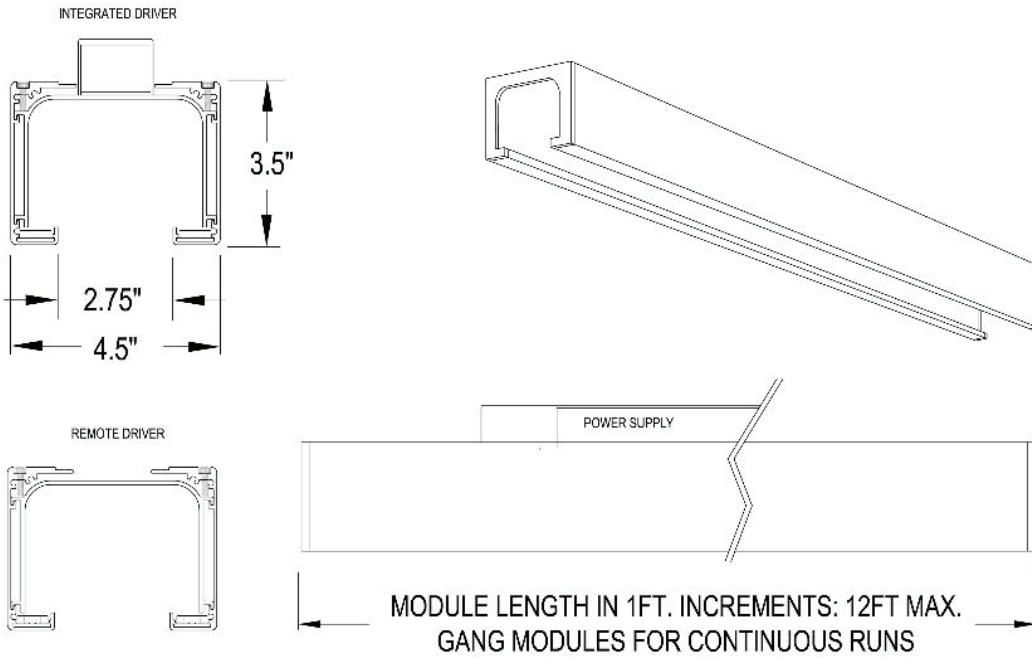
*Dimensions are subject to change.
For critical applications, verify all dimensions with RLE.

Suspended Linear LED

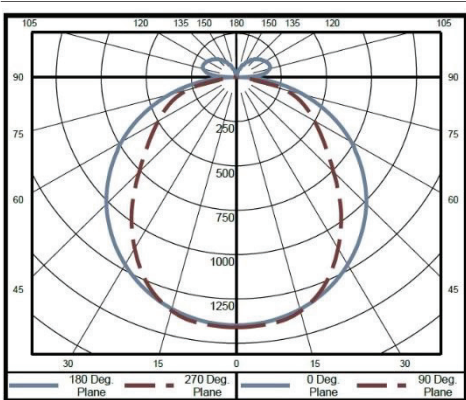
Open Square 4" Linear LED

OS4

Dimensions



Light Distribution



Suspended Linear LED

lumenera series