

Lumenera LED Series

V2

lumenera series

The V2 is the most popular light fixture in the Lumenera Lighting family, providing a sleek, slim profile design ideal for today's architectural lighting needs. The V2 is a practical design, great for illuminating many common areas.

The narrow profile meets the requirements for wall mount fixtures outlined by the Americans with Disabilities Act (ADA), and provides smooth accents for illuminating the vertical plane.

For pendants and surface mounting, the V2 is a powerful direct/indirect light source for common areas. Continuous rows are custom-designed by our engineering team, to eliminate light breaks in runs, as well as shadowing.

Applications

Offices, Schools, Hospitality, Healthcare, Retail locations – anywhere reliable, sleek, linear lighting is desired.

Housing

Solid extruded aluminum housing and steel end plates with powder coated, matte white finish. Custom colors are available.

Electrical

Philips Xitanium Universal LED Drivers compatible with 0-10V dimming systems to deliver reliably smooth dimming performance down to a minimum of 1%. Drivers can be calibrated by factory for specific lumen output. Standard (ST) Philips Fortimo LED Boards (83 CRI – Consult RLE for higher CRI) are max. 7.5W per foot and High Output (HO) LED Boards are max. 15W per foot. Minimum operation temperature is 13° F (-25°C) and max. operation temp. is 122°F (50°C).

Optics

Direct optic utilizes a lift and tilt white opal high transmission spread lens for high transmission and smooth illumination.

Mounting

Pendant: White rounded power cable is an SJ 18/3 conductor wire, to canopy mounted to ceiling J-Box.

Surface Mount: 4" square plate, powder coated to match finish.

Wall Mount: Heavy-gauge, rolled steel channel painted to match housing is secured to unit which attaches to a galvanized steel wall channel for ease of installation.

Joining

For continuous runs, factory will provide two 1" steel pins at the end of each module which are inserted into the end grooves of the extrusion. These pins are then inserted into the joining module and are secured at the roof of the housing by a 16 Gauge Joiner Bracket that goes over the two quarter twenty studs (one stud at the end of each joining module). Each module in the run is labeled for easy field installation.

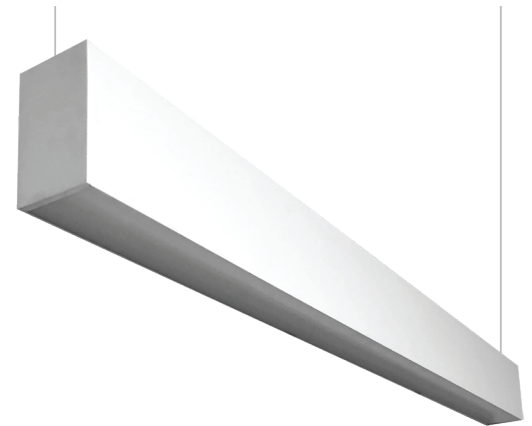
Certifications

- Drivers and LED boards are rated for 50,000 hours; 5 Year Warranty
- ARRA Compliant
- UL and cUL Listed

PROJECT	
FIXTURE	
FIXTURE	
APPROVED BY	DATE
NOTES	



THE ERA OF LUMENERA



Downlight Lumens/Watts
(HO Boards are only available in 22" lengths)

Output	Watts/Ft.	Lumens/Ft.
Standard	7.5	590
High Output (HO)	15	1070



Uplight Lumens/Watts
(Lumen results are shown as 4000K)

Output	Watts/Ft.	Lumens/Ft.
Standard	7.5	590



*Dimensions are subject to change.
For critical applications, verify all dimensions with RLE.

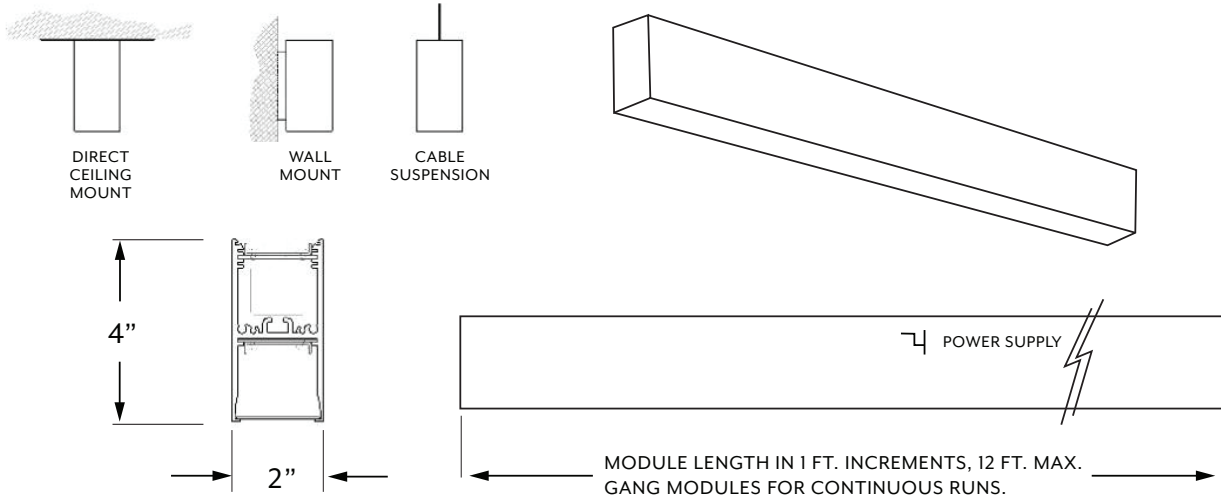
Lumenera LED Series

V2

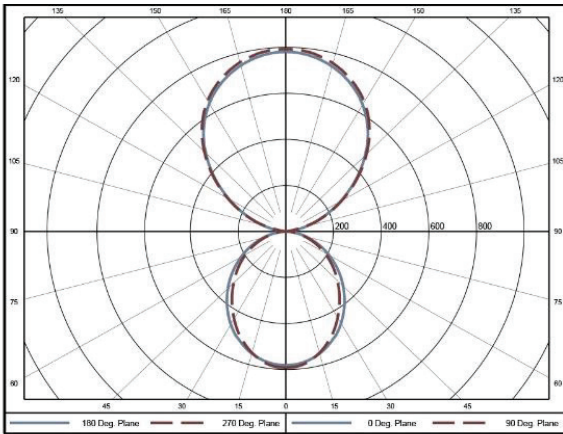


THE ERA OF LUMENERA

Dimensions



Light Distribution



*Dimensions are subject to change.
For critical applications, verify all dimensions with RLE.

lumenera series

Architectural Linear LEDs