

Single or Dual-Lamp Channel

S Model

Description

The S Model is available in 24", 36", 48", 72" and 96" lengths in 1 or 2 lamp configurations, T5, T5HO, and T8. Combination snap-in end plates double as couplers, eliminating the need for extra hardware in continuous row applications. The snap-on cover makes installation quick and easy.

Suitable for low density ceiling applications.

Symmetric, asymmetric, and light shield reflectors available.

For surface or pendant mounting, individual or continuous row mounting. Available with specular aluminum reflector (87% reflectance) high efficiency white reflector (92% reflectance) or high efficiency specular aluminum reflector (95% reflectance).

Housing

Die-formed heavy gauge steel housing with ample knockouts for easy installation.

Electrical

Energy saving electronic ballasts comply with Federal Energy Efficiency standards. Ballasts are <10% THD and include 5 year manufacturer's warranty. Ballasts operate on 120V-277V (UNV) unless specified otherwise.

Finish

All parts are finished with high gloss baked white enamel with minimum 89% reflectance applied over iron phosphate pretreatment for maximum adhesion and rust resistance.

Certifications

All units bear UL label.

Made in U.S.A.

Suitable for damp location.

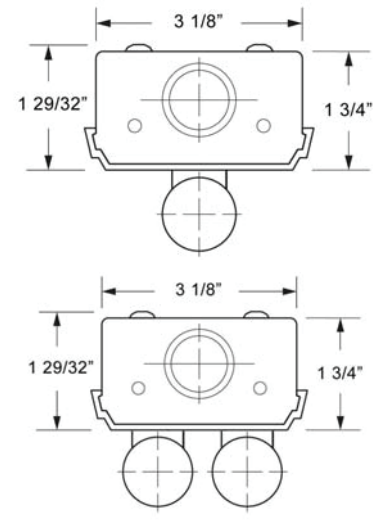
ARRA and BAA compliant.



Options

- DM** Dimmable
- EM** Emergency
- SA95** High Efficiency Specular Reflector
- SA87** Specular Reflector
- WH92** High Efficiency White Reflector
- SR** Symmetric Reflector
- AR** Asymmetric Reflector
- LS** Wall Wash Light Shield

| | |
|-------------|------|
| PROJECT | |
| FIXTURE | |
| FIXTURE | |
| APPROVED BY | DATE |
| NOTES | |
| | |



| Model S | Lamps | Wattage | Voltage |
|---------|-------|------------------------|-------------------|
| 2' Unit | 1 | 17T8 | 120 277 UNV |
| | 2 | 14T5 24T5HO | |
| 3' Unit | 1 | 25T8 | |
| | 2 | 21T5 39T5HO | |
| 4' Unit | 1 | 32T8 | |
| | 2 | 28T5 54T5HO | |
| 6' Unit | 1 | 25T8-6TD | |
| | 2 | 21T5-6TD 39T5HO-6TD | |
| 8' Unit | 1 | 32T8-8TD | |
| | 2 | 28T5-8TD 54T5HO-8TD | |

*Dimensions are subject to change.
For critical applications, verify all dimensions with RLE.

strips + industrials