

CAW

Applications

Economically-designed, narrow wraparound provides reliable and efficient lighting. Ideal for indoor applications such as homes, modular and mobile homes, stores and public buildings where low glare and ease of installation is required.

- Nominal 8" width with a shallow design
- Clear acrylic diffuser with prismatic bottom and ribbed linear sides
- Diffuser self-aligns and hinges from either side for easy maintenance
- Available in lengths from 24" – 48" (2' and 4' lengths)
- Standard two lamp configuration
- Easy re-lamping and re-ballasting
- Single or continuous row mounting capability
- Surface, stem or chain mountable
- Every fixture individually tested
- UL listed for damp location

Specifications

Housing and ends are die-formed and embossed from cold rolled steel. Finish is high reflectance baked white enamel. Inspection knockouts provided for mounting to junction box. Ballast cover snaps into place eliminating the need for tools when accessing the ballast. Diffuser hinges from either side in a lift and shift manner and is self-centering. End caps may be butted together for continuous row mounting. Narrow design provides spacing for cooler operation. Knockouts provided for stem mounting. Listed by and bears UL label.



*Dimensions are subject to change.
For critical applications, verify all dimensions with RLE.

PROJECT	
FIXTURE	
FIXTURE	
APPROVED BY	DATE
NOTES	

Ordering Example: CAW 2 32 MV 81

Series	# of Lamps	Lamp Type	Ballast Type	Options
CAW	1 1 Lamp*	14 22" T5	MV Electronic 120V to 277V	B1 T8/T5 1L 500 Lumens Battery Backup (B11)
	2 2 Lamp	17 24" T8	DMV 120-277 VAC, 0-10V Dimmable, Triac Dimmable, Multivolt	B2 T8/T5 1L/2L 700 Lumens Battery Backup (B48)
	3 3 Lamp*	21 34" T5	R120 Residential Electronic 120V	B3 T8/T5 1L/2L 1400 Lumens Battery Backup (B223)
	4 4 Lamp	24 22" T5HO	PMV Program Start Multivolt	B51 T5HO 1L 500 Lumens Battery Backup (B625)
		25 36" T8	LED** Wired 1 end hot for T8 LED tubes	B52 T5HO 1L 800 Lumens Battery Backup (B585)
		28 46" T5	LED2E** Wired 2 ends hot for T8 LED tubes	B53 T5HO 1L 1300 Lumens Battery Backup (B626)
		32 48" T8	** Assembled with no ballast, made for UL Listed, self ballasted retrofit LED lamps	11 Dual Ballasts 1 Lamp + 1 Lamp
		39 36" T5HO		21 Dual Ballasts 2 Lamp + 1 Lamp
		54 46" T5HO		22 Dual Ballasts 2 Lamp + 2 Lamp
				31 Dual Ballasts 3 Lamp + 1 Lamp
			RIF Radio Interference Filter	

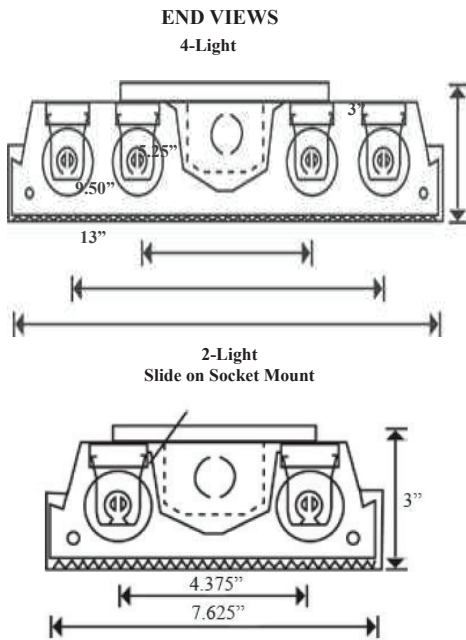
***See chart below for whip & cord ordering options

***Cord & Whip Ordering Chart (Add to End of Fixture Part Number)						
Part No.	# of Wires	Length	End Fitting	Finish	Voltage	Amps (TL Only)
WP - Whip	(Blank) 3 Wire	(Blank) 6 feet	(Blank) No Plug	BK - Black	(Blank) 120-277V	15 - 15 Amps
CS - Cordset	4 - 4 Wire	8 - 8 feet	P* - Standard Plug	WH - White	120 - 120V	20 - 20 Amps
	5 - 5 Wire	10 - 10 feet	TL* - Twist Lock		277 - 277V	
	6 - 6 Wire	12 - 12 feet			347 - 347V	
		15 - 15 feet			480 - 480V	

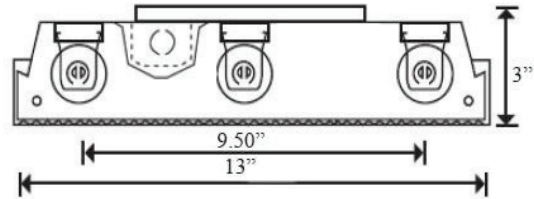
reliable & efficient

CAW

Dimensions



3-Light



Performance Levels

Ballast			
Manufacturer	Standard - Leave blank if no preference	High Efficiency Instant Start	High Efficiency Program Start
Advance (A)	Centium ICN (A)	Optanium (AL, AN, AH)	Optanium PS (APL, APN ???)
GE (G)	Proline GE (G)	UltraMax (GL, GN, GH)	UltraStart (GPL, GPH, GPH)
Osram/Sylvania (S)	Quicktronic Pro (S)	Quicktronic QHE (SL, SN, SH)	ProStart (SPL, SPN, SPH)
Universal (U)	ULT STD Electronic (U)	HP Electronic (UL, UN, UH)	AccuStart (UPI, UPN, UPH)

Brands

Code No.	Description
A	Advance
G	GE Ballast
L	Lutron
S	Sylvania Ballast
U	Universal