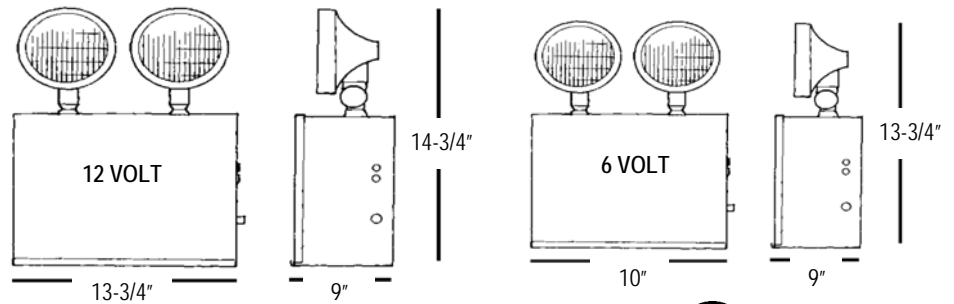




DIMENSIONS



Dimensions are subject to change. For critical applications, verify all dimensions with factory.



ORDERING

Units are compact. Ideal for public, commercial, and industrial facilities with varied unit load requirements. Automatic temperature compensated pulse type charger. High capacity automatic instantaneous transfer relay in a dust tight enclosure. Low voltage disconnects prevents over-discharge of battery. Automatic brownout protection is standard. Test switch and indicator pilot light are standard. Optional volt meter. Available with 3 wire cord and plug assembly. Wire guard is optional

HOUSING

20 gauge die formed steel housings.

BATTERY

Maintenance free, seal lead for 120V/277V system.

FINISH

Choice of white, black or industrial gray.

LAMPS

Choice of sealed beam and high intensity lamps.

CERTIFICATION

All units bear UL label and Made in the U.S.A. labels. Meets or exceed NEC, OSHA, NFPA, and most state and local codes. New York City and Chicago approved units available.

<u>MODEL</u>	<u>WATTAGE</u>	<u>LAMP HEADS</u>	<u>FINISH</u>
AA3-6V	60	7.2W	WH – White
	90	8W	IG – Industrial Gray
		9W	BL – Black
		12W	
		25W	

<u>MODEL</u>	<u>WATTAGE</u>	<u>LAMP HEADS</u>	<u>FINISH</u>
AA3-12V	36	7.2W	WH – White
	54	8W	IG – Industrial Gray
	75	9W	BL – Black
	100	12W	
	150	25W	
	200		

OPTIONS

- VM** – Volt Meter
- CP** – Cord & Plug
- NYC** – New York City Approved
- VM** – Chicago Approved

JOB NAME:
FIXTURE TYPE:
MODEL NO:

