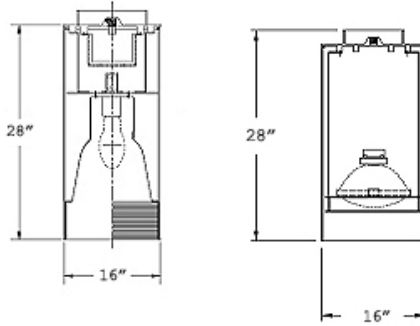




DIMENSIONS



Dimensions are subject to change. For critical applications, verify all dimensions with factory.



ORDERING

Available in Higher Wattage Pulse Start Metal Halide, High Pressure Sodium, and Incandescent. Available in 16" diameter. Accommodates Metal Halide lamping 175W-400W, High Pressure Sodium 150W-400W, Incandescent up to 500W-R40 and 500W-PS35. Surface mounting is standard. Optional stem and canopy mounting hardware includes 3/8" I.P.S. 12" stem with 0-45 degree swivel canopy. Optional wall mount includes a one-piece cast aluminum arm with access plate.

HOUSING

Heavy gauge extruded aluminum rolled and seam welded.

ELECTRICAL

For metal halide lamping ballast is high power factor, constant wattage auto transformer. For high-pressure sodium, ballast is normal power factor reactor type for 120V.

REFLECTOR

Metal Halide, High Pressure Sodium supplied with spun aluminum .040" thick, polished specular alzak. Standard with open aperture. Optional C-73 glass lens.

FINISH

Standard in urethane polyester powder coat bronze. Optional black or white finish is available.

CERTIFICATION

All units bear UL and Made in U.S.A. label. Wall mount units are suitable for wet locations. Surface and pendant mount units are suitable for damp locations.

MODEL
S160

WATTAGE

150
175
250
400

TYPE

PSMH-Pulse
Start Metal
Halide

HPS-High
Pressure
Sodium

VOLTAGE

120
277
MULTI

500R40
500PS35

INC-
Incandescent

120

OPTIONS:

- WL** – Wet Location (For Wall Mount Only)
- EM** – Remote Emergency Battery Back Up (For Compact Fluorescent Only)
- PC** – Photocell
- GLR** – Single Fuse
- QZ** – Quartz Re-strike (For Pulse Start Metal Halide Only)
- ST** – Stem Mount (12" Standard)
- WM** – Wall Mount
- S** – Surface Mount
- CL** – Clear Reflector
- BB** – Black Baffle
- CL/L** – Clear Reflector with Tempered Glass Lens
- BB/L** – Black Baffle with Tempered Glass Lens
- LG** – Louver Guard
- BZ** – Bronze Finish
- BK** – Black Finish
- WH** – White Finish



JOB NAME:
FIXTURE TYPE:
MODEL NO: