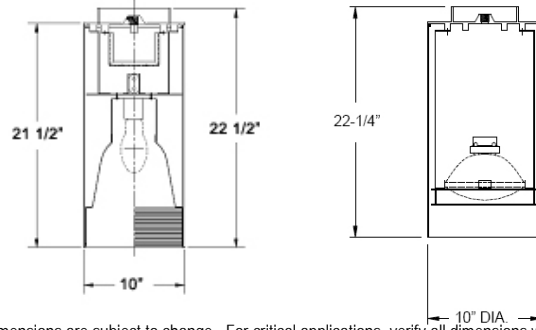


2. Surface

Extruded Aluminum Cylinder

S100

DIMENSIONS



Dimensions are subject to change. For critical applications, verify all dimensions with factory.



ORDERING

Available in Metal Halide, High Pressure Sodium, Compact Fluorescent and Incandescent. Available in 10" diameter. Accommodates Pulse Start Metal Halide lamping up to 150w, High Pressure Sodium up to 150w, Compact Fluorescent up to 42w and Incandescent up to 500w PAR56. Surface mounting is standard. Optional stem and canopy mounting hardware includes 3/8" I.P.S. 12" stem with 0-45 degree swivel canopy. Optional wall mount includes a one-piece cast aluminum arm with access plate.

HOUSING

Heavy gauge extruded aluminum rolled and seam welded.

ELECTRICAL

For metal halide lamping ballast is high power factor, constant wattage auto transformer. For high-pressure sodium, ballast is normal power factor reactor type for 120V. Compact fluorescent ballast is Electronic, universal voltage.

REFLECTOR

Metal Halide, High Pressure Sodium and Compact Fluorescent supplied with spun aluminum .040" thick, polished specular alzak.

FINISH

Standard in urethane polyester powder coat bronze. Optional black or white finish is available.

CERTIFICATION

All units bear UL and Made in U.S.A. label. Wall mount units are suitable for wet locations. Surface and pendant mount units are suitable for damp locations.

MODEL	WATTAGE	TYPE	VOLTAGE
S100	100	PSMH- Pulse Start Metal Halide	120
	150		277
			MULTI
	26	CF- Compact Fluorescent	
	32		
	42		
	100	HPS- High Pressure Sodium	
	150		
	Up to 500 PAR56	INC- Incandescent	

OPTIONS:

- WL – Wet Location (For Wall Mount Only)
- EM – Remote Emergency Battery Back Up (For Compact Fluorescent Only)
- PC – Photocell
- GLR – Single Fuse
- QZ – Quartz Re-strike (For Pulse Start Metal Halide Only)
- ST – Stem Mount (12" Standard)
- WM – Wall Mount
- S – Surface Mount
- CL – Clear Reflector
- BB – Black Baffle
- CL/L – Clear Reflector with Tempered Glass Lens
- BB/L – Black Baffle with Tempered Glass Lens
- LG – Louver Guard
- BZ – Bronze Finish
- BK – Black Finish
- WH – White Finish



JOB NAME:

FIXTURE TYPE:

MODEL NO: