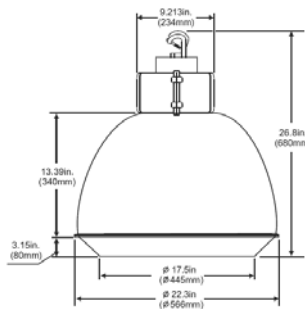




DIMENSIONS



Dimensions are subject to change. For critical applications, verify all dimensions with factory.



ORDERING

Available in compact 16" and wide 22" reflectors. Pulse Start Metal Halide in 150PSMH, 175PSMH, 250PSMH, 320PSMH and 400HPS add High Pressure Sodium 150W, 250W & 400W 16" Reflector efficiency in 76% 22" Reflector efficiency of 83% both provide efficient symmetrical light distribution for warehouse and aisle lighting where high levels of illumination are required with only low to medium mounting heights. Pendant mounting (for 3/4" conduit) is standard. Optional quick connect hook with 24" cord and NEMA twist lock plug for chain hanging. Injection molded acrylic refractor designed to maximize efficiency and distribution while controlling glare. Fixture includes clear mogul lamp.

<u>MODEL</u>	<u>WATTAGE</u>	<u>TYPE</u>	<u>VOLTAGE</u>
LB16	150	MH -	120
	175	Pulse Start	277
	250	Metal Halide	480
	320		MULTI
	400		
LB22	100	HPS -	
	150	High Pressure	
	250	Sodium	
	400		
LB22	42	CF-	
		Compact	
		Fluorescent	
LB22	85	IND-	
	100	Compact	
	150	Fluorescent	

HOUSING

Die cast aluminum with thermal chimney separating ballast core and coil from capacitor and igniter.

ELECTRICAL

High Power Factor, constant wattage autotransformer available in 120, 208, 240, 277, 347, or 480V. Optional multi tap(120, 208, 240 or 277V).

REFLECTOR

Hydroformed aluminum reflector utilizes an IES type V distribution designed for maximum efficiency.

FINISH

Entire fixture (housing and reflector) supplied with durable white acrylic base powder coat finish.

CERTIFICATION

All units bear UL label, and Made in U.S.A. Suitable for 40°C ambient operations.

OPTIONS:

- PC** – Photocell
- GLR** – Fusing
- QZ** – Quartz Restrike
- DAL** – Drop Acrylic Lens
- CON** – Conical Lens
- WG** – Wire Guard
- CP** – Cord & Plug Set (Specify Voltage)
- SPR** – Swivel Round Canopy
- SPS** – Swivel Square Canopy



JOB NAME:
FIXTURE TYPE:
MODEL NO: