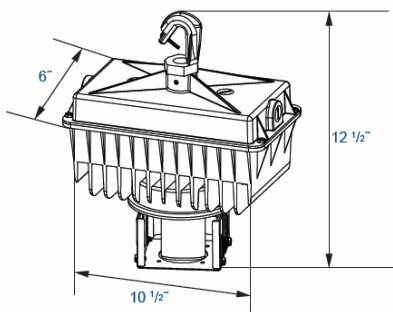


**DIMENSIONS**



Dimensions are subject to change. For critical applications, verify all dimensions with factory.



**ORDERING**

Ideal for factories and warehouses where high levels of illumination are required. Adjustable lampholder for wide and medium light distribution. Pendant mounting (for 3/4" conduit) standard. Optional quick connect hook with 36" cord and NEMA twist plug for chain hanging. (Please provide voltage.) Anodized aluminum reflector offers high reflectivity and ease of maintenance.

**HOUSING**

Die cast aluminum housing with external heat sinks for cooler operating temperatures for induction ballasts, white powdercoat finish over a chromate conversion coating

**ELECTRICAL**

High Power Factor, constant wattage autotransformer available in 120, 208, 240, 277, 347, or 480V. Optional multi tap (120, 208, 240 or 277V) or tri tap (120, 240, 347V).

**REFLECTOR**

22" prismatic acrylic refractor, spun aluminum reflector, faceted aluminum reflector

**CERTIFICATION**

CSA Listed for dry locations.

<u>MODEL</u>	<u>WATTAGE</u>	<u>VOLTAGE</u>
<b>HB-IND</b>	80	120
	100	277
	120	480
	150	MULTI
	200	
	500	

**OPTIONS:**

- OC** – Occupancy Sensor
- GLR** – Fusing
- QZ** – Quartz Restrike
- CP** – Cord & Plug
- WG** – Wire Guard
- FL** – Clear Flat Glass Lens
- DAL** – Drop Acrylic Lens (250W Max)
- CAL** – Conical Acrylic Lens (250W Max)



JOB NAME:
FIXTURE TYPE:
MODEL NO: