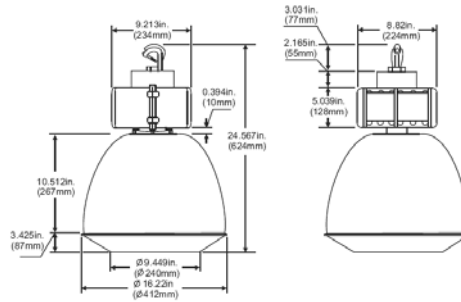


DIMENSIONS



Dimensions are subject to change. For critical applications, verify all dimensions with factory.



ORDERING

Available in 16" and 22" diameter reflectors. Ideal for factories and warehouses where high levels of illumination are required. Adjustable lampholder for wide and medium light distribution. Pendant mounting (for 3/4" conduit) standard. Optional quick connect hook with 36" cord and NEMA twist plug for chain hanging. (Please provide voltage.)

HOUSING

Die cast aluminum with thermal chimney separating ballast core and coil from capacitor and igniter. Powder coated white polyester finish.

ELECTRICAL

High Power Factor, constant wattage autotransformer available in 120, 208, 240, 277, 347, or 480V. Optional multi tap (120, 208, 240 or 277V)

REFLECTOR

Clear acrylic prismatic reflector delivers more than 90% efficiency with 10% uplight.

CERTIFICATION

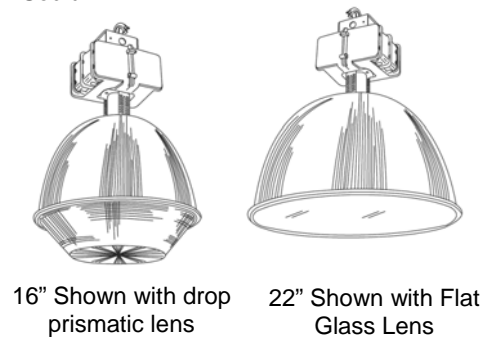
All units bear UL and Made in U.S.A. labels. Units are UL Listed for damp location.

MODEL	WATTAGE	TYPE	VOLTAGE
ARHB16	150	PSMH -	120
- 16"	250	Pulse Start	277
Acrylic	320	Metal Halide	480
Reflector	400		MULTI
	150	HPS- High	
	250	Pressure	
	400	Sodium	

MODEL	250	PSMH- Pulse
ARHB22	320	Start Metal
- 22"	400	Halide
Acrylic	750	
Reflector	1000	
	250	HPS-High
	400	Pressure
		Sodium

OPTIONS:

- OC** – Occupancy Sensor
- GLR** – Fusing
- QZ** – Quartz Restrike
- CP** – Cord & Plug
- WG** – Wire Guard
- FL** – Flat Lens (400W Max)
- DL** – Drop Prismatic Lens (400W Max)
- CL** – Conical Lens (400 Max)



JOB NAME:
FIXTURE TYPE:
MODEL NO: