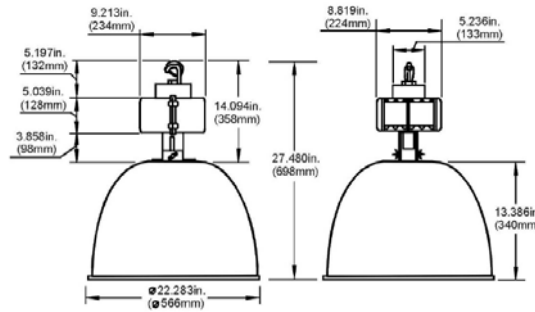


**DIMENSIONS**



Dimensions are subject to change. For critical applications, verify all dimensions with factory.



**ORDERING**

Ideal for factories and warehouses where high levels of illumination are required. Adjustable lampholder for wide and medium light distribution. Pendant mounting (for 3/4" conduit) standard. Optional quick connect hook with 36" cord and NEMA twist plug for chain hanging. (Please provide voltage.) Anodized aluminum reflector offers high reflectivity and ease of maintenance. Available in 16" and 22" diameters.

**HOUSING**

Die cast aluminum with thermal chimney separating ballast core and coil from capacitor and igniter. Powder coated white polyester finish.

**ELECTRICAL**

High Power Factor, constant wattage autotransformer available in 120, 208, 240, 277, 347, or 480V. Optional multi tap (120, 208, 240 or 277V) or tri tap (120, 240, 347V).

**REFLECTOR**

Hydro-formed aluminum is anodized and delivers 80% efficiency.

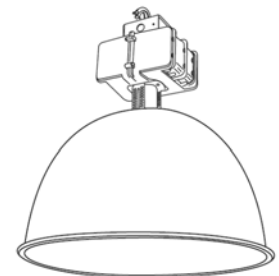
**CERTIFICATION**

All units bear UL and Made in U.S.A. labels. Units are UL Listed for damp location.

<u>MODEL</u>	<u>WATTAGE</u>	<u>TYPE</u>	<u>VOLTAGE</u>
<b>ALHB-16</b> 16" Reflector	150	<b>PSMH-</b>	120
	250	Pulse Start	277
	320	Metal	480
	400	Halide	MULTI
<b>ALHB-22</b> 22" Reflector	750		
	1000		
	150	<b>HPS-</b> High	
	250	Pressure	
	400	Sodium	
	1000		

**OPTIONS:**

- OC** – Occupancy Sensor
- GLR** – Fusing
- QZ** – Quartz Restrike
- CP** – Cord & Plug
- WG** – Wire Guard
- FL** – Flat Lens
- DAL** – Drop Acrylic Lens (250W Max)



JOB NAME:
FIXTURE TYPE:
MODEL NO: