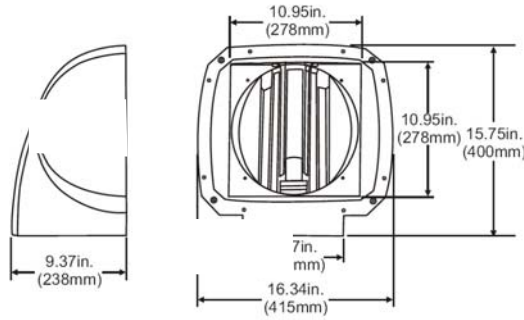


DIMENSIONS



Dimensions are subject to change. For critical applications, verify all dimensions with factory.



ORDERING

Ideal for parking areas, entrances, walkways, underpasses, loading docks, recreation areas, and tunnels. Heavy-duty die-cast aluminum construction. Heat and impact resistant tempered glass lenses. Powder coated finish on cast aluminum housing. One piece designed anodized aluminum reflector for optimum light efficiency. Silicon rubber seal prevents leakage. Rotatable wide throw reflector. Designed for downlighting or uplighting installations. Quick install mounting bracket included. Lamping up to 150W MH or 150W HPS and compact fluorescent up to 2-42W available.

HOUSING

Heavy-duty die cast aluminum housing.

ELECTRICAL

Optimized for 150W PSMH and 150W HPS. Standard with 120V, 277V, or Multi-tap ballast. High Power Factor and other voltages/lamp options are also available.

FINISH

Powder coated architectural bronze is standard. Other finishes are available upon request.

CERTIFICATION

All units bear UL label. Listed for wet location. Made in U.S.A.

<u>MODEL</u> CWPE	<u>WATTAGE</u>	<u>TYPE</u>	<u>VOLTAGE</u>
	70	PSMH-	120
	100	Pulse Start	277
	150	Metal Halide	480
			MULTI
	100	HPS-	
	150	High Pressure Sodium	
	70	IND-	
		Induction	
	(1 or 2) 26	CF- Compact Fluorescent	120
	(1 or 2) 32		277
	(1 or 2) 42		UNV

OPTIONS:

- EM** – 90 Minute Remote Battery Back-Up (For Compact Fluorescent Only)
- PC** – Photocell
- VS** – Vandal Shield
- TP** – Tamperproof hardware
- GLR** – Fusing
- QZ** – Quartz Restrike
- CC** – Custom Color



JOB NAME:
FIXTURE TYPE:
MODEL NO: