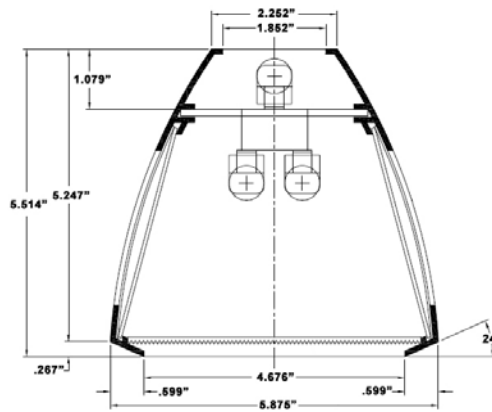




**DIMENSIONS**



Dimensions are subject to change. For critical applications, verify all dimensions with factory.



**ORDERING**

Available in 4'-0" length, T8, T5 or T5HO lamping. Extruded aluminum housing with optional indirect lens to provide uplight. Available with solid or transparent sides with a variety of lense options. Down diffuser can be clear, white or prismatic lense, semi-specular parabolic or white cross baffle. Solid top (direct only) with solid sides and prismatic lense are standard. Fixture can be aircraft cable or stem installed at any height.

**HOUSING**

Housing constructed of extruded aluminum.

**ELECTRICAL**

Energy saving electronic ballasts comply with Federal Energy Efficiency standards. Ballasts are <10% THD and include 5 year manufacturer's warranty. Ballasts operate on 120V-277V (UNV) unless specified otherwise.

**DIFFUSERS**

Users have the choice of baffles and lenses. Choice of multiple lens and baffle styles available.

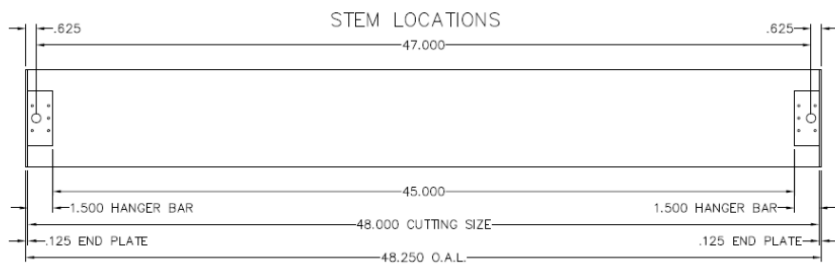
**FINISH**

All parts finished with white polyester with minimum 89% reflectivity. Standard color is white. Other colors are available upon request.

**CERTIFICATION**

All units bear UL label. Made in U.S.A. Suitable for damp location. ARRA and BAA compliant.

<u>MODEL</u>	<u>UPLIGHT</u>	<u>WATTAGE</u>	<u>DOWNLIGHT</u>	<u>WATTAGE</u>	<u>VOLTAGE</u>
<u>ARC</u>	<u>LAMP QTY</u>	<u>TYPE</u>	<u>LAMP QTY</u>	<u>TYPE</u>	
	0	32T8	0	32T8	120
	1	28T5	1	28T5	277
		54T5HO	2	54T5HO	UNV



**OPTIONS:**

- EM – Emergency
- DM – Dimming (Specify Type)
- CC – Custom Color
- OEL – Open End (w/ Lens Installed)
- AC – Aircraft Cable (48" Standard)
- ST – Stem (24" Standard)
- OAS – Opal Acrylic Sides
- S – Surface (Direct Light Only)

**SHIELDING:**

- Indirect Configuration (Uplight)**
- SO – Solid Top, No Uplight
  - OP – Open Top
  - AL – Acrylic Lens, Prismatic
- Direct Configuration (Downlight)**
- WCB – White Cross Blade
  - AL – Acrylic Lens, Ribbed
  - SO – Solid Bottom, No Direct Light
  - PB – Parabolic Louver



JOB NAME:
FIXTURE TYPE:
MODEL NO: