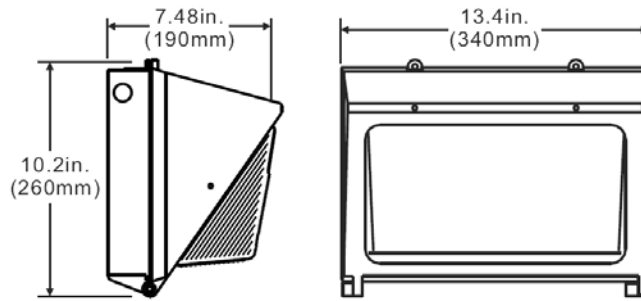


DIMENSIONS



Dimensions are subject to change. For critical applications, verify all dimensions with factory.



ORDERING

Available in 24W and 36W LED. Die cast aluminum housing with integral hinging feature for ease of maintenance. Borosilicate prismatic glass optically designed for optimum light distribution. Optional polycarbonate shield or wire guard for vandalproof protection is available. Threaded apertures for conduit and optional photocell provided for flexibility during installation. Fully gasketed weather resistant construction. For wall mounting directly over standard 4" outlet box or with surface conduit. A 24W LED is comparable to 70-100W HID. A 36W LED is comparable to 125-150W HID.

MODEL
WBLED

WATTAGE
24W
36W

VOLTAGE
UNV (120/277)

HOUSING

Die cast aluminum housing.

ELECTRICAL

High efficiency electronic constant current Class II 120/277V driver.

LED COLOR

Standard in 5000K. Consult factory for other Kelvin temperatures.

SHIELDING

Borosilicate glass is standard.

FINISH

Exterior housing is finished in architectural bronze as standard. Custom colors available.

CERTIFICATION

Suitable for wet location. Made in USA. ARRA and BAA compliant. UL listed. 5 year warranty.

OPTIONS:

- EM-** Emergency
- PC** – Photocell (specify voltage)
- TP** – Tamperproof Hardware
- CC** – Custom Color (specify color)
- VS** – Vandal Shield
- WG** – Wire Guard



JOB NAME:
FIXTURE TYPE:
MODEL NO: