

PROJECT:	
FIXTURE TYPE:	
APPROVED BY:	DATE:
NOTES:	

**8.66: Circular High Bay LED**

**CHBLED**

SPECIFICATION **FIVE YEAR WARRANTY** **UL LISTED**

RLE's Heavy Duty LED High Bay features a unique design with a quick disconnect cable that can quickly separate the driver from the LED module for easy maintenance. It's uniquely designed prismatic lens provides ideal lighting coverage and minimum glare. This unit has a built in heat sink and comes with a hook made of die cast aluminum for a strong and easy installation. Heavy duty one complete piece die cast provides maximum heat dissipation. Cooling fins are added to increase the ambient temperature to 50C standard.

**HOUSING**  
Die formed heavy gauge aluminum unitized into one piece.

**ELECTRICAL**  
Driver suitable for 120v-277v operation. Philips LED system.

**SHIELDING**  
High impact polycarbonate frosted lens.

**FINISH**  
UV stabilized powder coated finish. White is standard, bronze available.

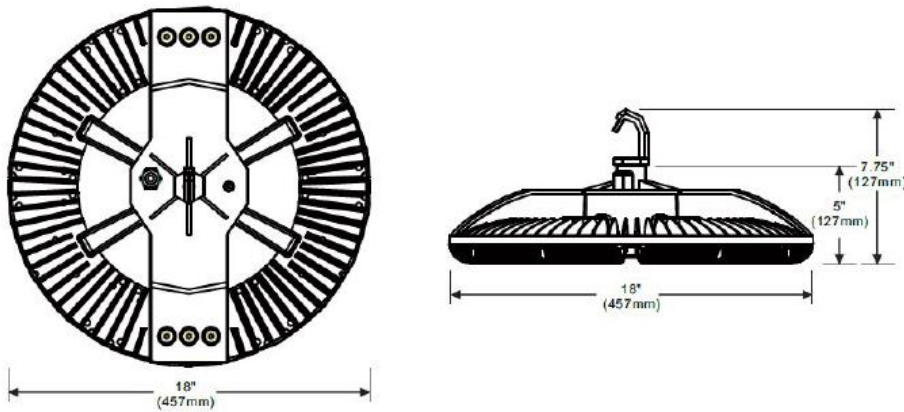
**CERTIFICATION**  
All units bear UL label. Suitable for wet location. IP66 Rated. ARRA and BAA compliant. Standard 5-year warranty. 4000K and 5000K are DLC Premium. DLC listed with OEM Partner.



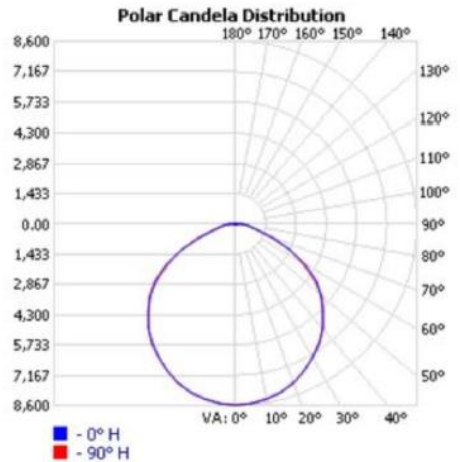
LUMENS / WATTS		
TYPE	WATTS	LUMENS
250W Replacement	150W	19,113
400W Replacement	191W	24,616
1000W Replacement	212W	27,679

**DIMENSIONS**

*Due to continued improvements, RLE Industries reserves the right to change specifications with or without notice.*



**LIGHT DISTRIBUTION**



**ORDERING INFORMATION**

*When ordering, check or mark each box to select the options desired for the project. Unmarked boxes will be treated as standard assembly.*

MODEL	SIZE - LUMEN PACKAGE	CCT	DIFFUSER	OPTIONS
<input type="checkbox"/> CHBLED - Circular High Bay LED	<input type="checkbox"/> 150W <input type="checkbox"/> 191W <input type="checkbox"/> 212W	<input type="checkbox"/> 35K - 3500K <input type="checkbox"/> 40K - 4000K <input type="checkbox"/> 50K - 5000K	<input checked="" type="checkbox"/> POLYCARBONATE	<input type="checkbox"/> OCC - OCCUPANCY SENSOR <input type="checkbox"/> PC - PHOTO CONTROL <input type="checkbox"/> PM - PENDANT MOUNT <input type="checkbox"/> BR - BRONZE FINISH