

PROJECT:	
FIXTURE TYPE:	
APPROVED BY:	DATE:
NOTES:	

8.32 Molded Vapor Tight Luminaire

VPVTLED

Specification Details



Available in 2', 4', and 8' lengths LED configurations. Weather resistant housing ideal for parking garages, food processing areas, refrigerated storage, marinas, or any area where moisture protection is required. Internal gear tray replaces traditional strip fixture insert, reducing both weight and expense. Poured in place gasket and latches seal the enclosures from most hostile environments. Polycarbonate or stainless steel and tamperproof latches available. Optional stainless steel snap-in mounting brackets reduce installation time and eliminate mounting holes in fixture body. For individual or continuous row with optional watertight hubs. Optional specular aluminum wide distribution reflector available.



HOUSING

Heavy-duty unsaturated fiberglass reinforced polyester housing with poured in place gasketing. Flame class V-0, 5VA.

ELECTRICAL

High quality Philips Xitanium Universal LED Drivers and Philips Fortimo LED boards compatible with 0-10V dimming systems to deliver reliably smooth dimming performance down to a minimum of 1%. Different color temperature available. Fixtures must be installed in accordance with NEC code for wet location installations.

SHIELDING

Ribbed diffuser is molded of UV stabilized acrylic/DR blend to resist breakage and maintain flexibility. Optional polycarbonate lens available in 2' and 4' only. Water clear lens is also available.

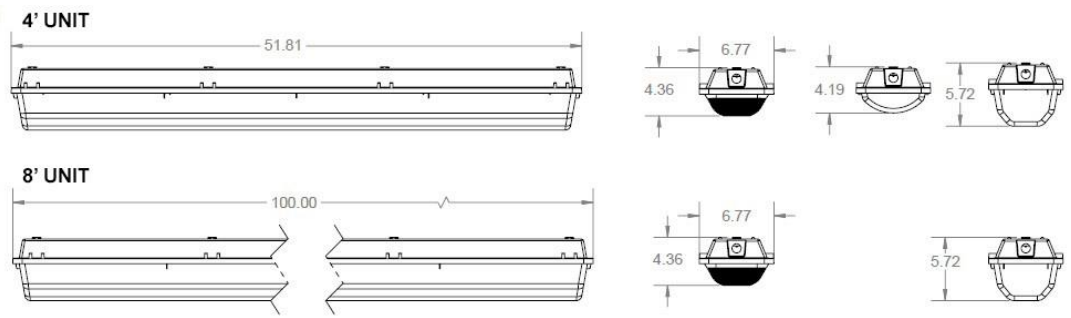
CERTIFICATION

All units bear UL wet location label. IP67 Certified. National Sanitation Foundation (NSF) approved components. Manufactured in the USA. ARRA and BAA compliant. Passed 1500 PSI high pressure hose down test. CEE Verified. Ballasts, and Fixture operates up to 70 C Temperature.



Dimensions

Due to continued improvements, RLE Industries reserves the right to change specifications with or without notice.



Ordering Information

Sample CAT# VPVTLED - 4N - 35K - UNV - EM/SSL/WCL



MODEL	SIZE	CCT	VOLTAGE	OPTIONS
VPVTLED	2' Normal (19W/2200 lm) - 2N (NOT DLC) 4' Normal (40W/5000 lm) - 4N 4' HI (70W/7000 lm) - 4H 8' Normal (90W/10,000 lm) - 8N 8' HI (142W/14,000 lm) - 8H	3000K (30K) - NOT DLC 3500K (35K) - NOT DLC 4000K (40K) 5000K (50K)	UNV/120/277	EM - Emergency SSL - Stainless Steel Latches HUB - Wet Location Hub TP - Tamperproof Hardware SSMB - Stainless Steel Mounting Brackets SA95 - Specular Aluminum Reflector (Minimum 91% Reflectance) OC - Factory Installed High Bay Occupancy Sensors SPM HUB - Single Point Mount Hub POLY - Polycarbonate Diffuser CP - Factory Installed Cord and Plug (Specify Voltage & Length) WCL - Water Clear Lens

- FAL - Frosted Acrylic Lens
- LNST - Lens Tether
- WDR - Wide Distribution Reflector (Specular Aluminum)
- CMB - 90-degree corner mounting bracket
- N - Narrow Housing
- PMB - Pivot Mounting Bracket

Separate Options with a slash, i.e. DIM/EM