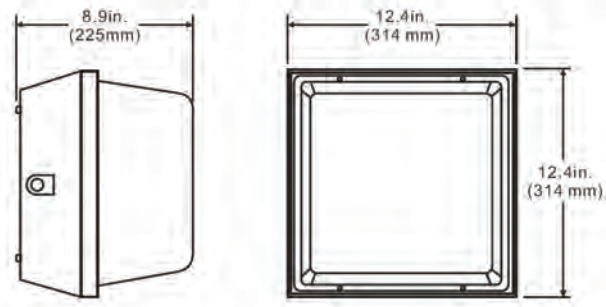


8.LED

CVALED Luminare

CVALED



Dimensions are subject to change. For critical applications, verify all dimensions with factory.

Available in 24,28 and 48 WATTS LED technology offers an unprecedented lamp life. This fixture is vandal resistant that can be mounted on the wall or ceiling. It is designed to provide long life and high reliability in those applications where an extra level of protection and security is required. The housing can be mounted directly over a standard 4" outlet box or surface wired through 1/2" conduit entries. Suitable for wet locations, these lights are typically mounted 8 – 14 feet high.

HOUSING:
Durable die cast aluminum with 1/2" threaded conduit entries for surface wiring. A continuous one piece gasket ensures a weather tight seal

LENS:
Clear Prismatic polycarbonate diffuser with UV inhibitors

FINISH:
Dark bronze powder paint finish is standard*

FEATURES:
Uses up to 88% less energy when compared to the HID equivalent
Instant on/off operation
Resistant to shock and vibration
Surged Protected
Unique optical design
4000K color temperature
Produces no UV radiation
Contains no Mercury

CERTIFICATION:
Suitable for wet location.
Made in USA.
ARRA and BAA compliant.
UL listed. 3 year warranty.

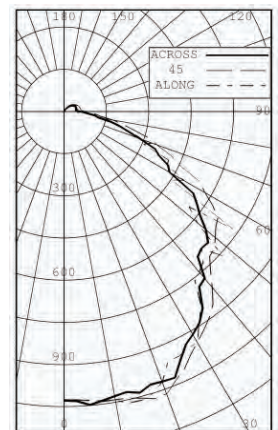


MODEL	WATTAGE	VOLTAGE
CVALED	24	UNV(120/277)
	**28	
	**48	



OPTIONS:

- EM - Emergency
- TP - Tamperproof Hardware
- PC - Photocell (specify voltage)
- WH - White Housing
- CC - Custom Color (specify color)



JOB NAME:
FIXTURE TYPE:
MODEL NO: