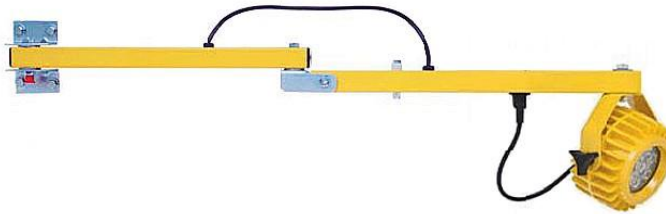


8. LED

Arm Mount Dock Luminaire

AMDLED



The AMDLED is engineered for extreme environments such as damp and wet locations. Ideal for illuminating dark trailers and docks for safe loading and unloading, warehouses and food service operations. Dust tight and able to withstand water spray. This 18 watt LED luminaire provides unprecedented 60,000-hour lamp life and produces 915 lumens, the equivalency of a 300-watt incandescent bulb. This fixture is virtually maintenance-free. The single swing arm mount is hinged for both vertical and horizontal adjusting.

HOUSING

Made from durable cast aluminum housing with shatterproof polycarbonate lens to withstand daily impact.

ELECTRICAL

Highest quality driver, emitters and power supply for long life. Power switch located on recessed back plate.

LED COLOR

Available in 5000K.

FINISH

Yellow Powder Coated Finish

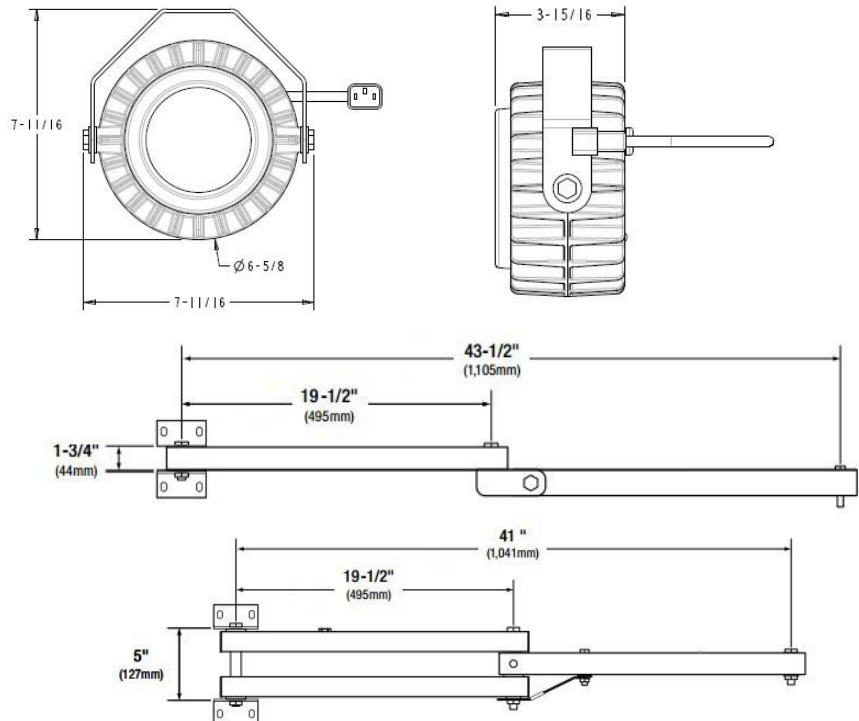
WARRANTY

5 Year

CERTIFICATION

IP66
NEMA4

DIMENSIONS



Dimensions are subject to change. For critical applications, verify all dimensions with factory.

ORDERING

MODEL
AMDLED

WATTAGE
18

VOLTAGE
120

OPTIONS

SSM – Single Side Mount (43.5")
DSM – Dual Side Mount Arm (41")

RLE INDUSTRIES
ROBERT LIGHTING & ENERGY

JOB NAME:

FIXTURE TYPE:

MODEL NO: