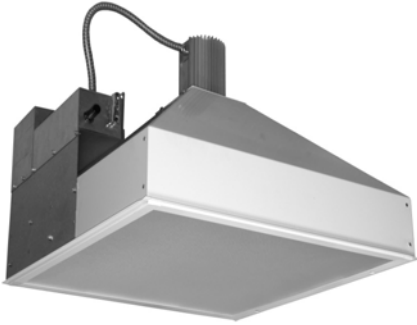


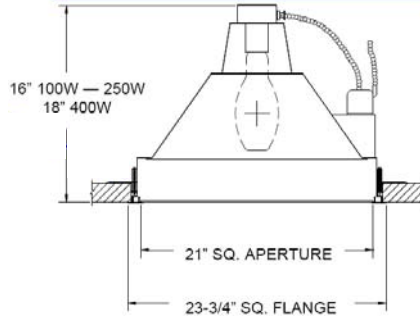
# 1. Recessed

# 2x2 Modular Design Square

# R24V



## DIMENSIONS



Dimensions are subject to change. For critical applications, verify all dimensions with factory.



## ORDERING

Available in Pulse-Start Metal Halide up to 450W and High Pressure Sodium up to 400W. All lamps are medium base and are vertically mounted for maximum lamp efficiency. A full compliment of shielding media will compliment all lighting applications. Completely prewired and assembled with removable ballast assembly. Designed for mounting in 2x2 grid (T-Bar) ceilings. Flange for gypsum board ceilings is optional. Consult factory for other ceiling installations. Automatic resetting heat sensitive thermal protection device for non-IC installations. Cold rolled steel doorframe with captive countersunk ¼ turn spring loaded fastener and concealed stainless steel hinging. Stainless steel doorframes are also available as an option.

MODEL	WATTAGE	TYPE	VOLTAGE
R24V	150	PSMH –	120
	200	Pulse Start	277
	250	Metal Halide	480
	320		MULTI
	350		
	400		
	450		
	150	HPS –	
	200	High	
	250	Pressure	
	400	Sodium	

### HOUSING

20 gauge CRS welded construction. Consult factory for stainless steel housing.

### ELECTRICAL

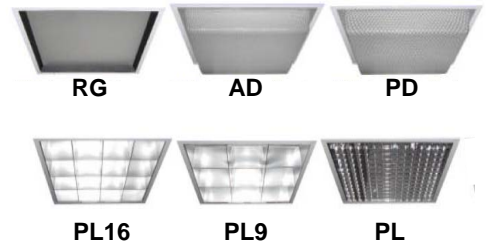
High Reactance auto-transformer, High Power Factor, encased and potted, auto-resetting type. All wattages up to 400W contain pulse start ballasts. "V" denotes a vertically mounted lamp, mogul base.

### FINISH

Detergent cleaned with iron phosphate and chromic acid rust inhibitor, chip resistant, powder urethane polyester coating, electrostatically applied and baked

### CERTIFICATION

All units bear UL and Made in U.S.A. label. UL listed for wet location under covered ceiling. ARRA and BAA compliant.



### OPTIONS:

- SS – Stainless Steel Trim
- TP – Tamperproof hardware
- GLR – Single Fuse
- QZ – Quartz Restrike
- FLG – Flanged Housing (Gypsum Board Ceiling)
- TG – Tempered Prismatic Glass Lens (Standard)
- RG – Regressed Prismatic Glass Lens
- AD – Acrylic Prismatic Drop Lens
- PD – Polycarbonate Prismatic Drop Lens
- PL – Prismatic Glass Lens and 1-½ inch Parabolic Louver
- PL9 – Prismatic Glass Lens and 9-Cell Parabolic Louver
- PL16 – Prismatic Glass Lens and 16-Cell Parabolic Louver



JOB NAME:
FIXTURE TYPE:
MODEL NO: