

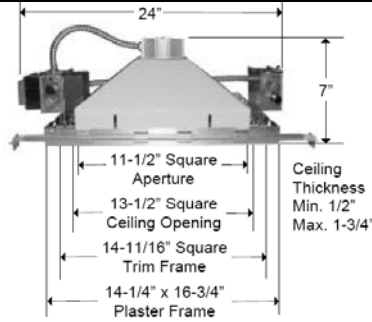
1. Recessed

Nominal 1x1 Aperture Square

R12V



DIMENSIONS



Dimensions are subject to change. For critical applications, verify all dimensions with factory.



ORDERING

Available in pulse start metal halide 50W-175W, and High Pressure Sodium 50W-150W. All lamps are medium base and are positioned in horizontal burn. Completely prewired and assembled with removable ballast assembly. Trim frame 20 gauge C.R.S. one piece construction, gasketed with torsion spring lock-up. Finished matte white. A full complement of low brightness shielding media is available to fit most requirements and will compliment all lighting applications. Automatic resetting heat sensitive thermal protection device for non-IC installations will protect fixture from overheating. Doorframe: 20 gauge CRS one piece die formed with concealed hinge. Secured with (2) captive countersunk screws.

HOUSING

20 gauge CRS welded construction. All painted parts are washed in alkaline solution, rinsed in an iron phosphate, baked dry, then painted with a polyester powder coating electrostatic applied and baked.

ELECTRICAL

Ballast is pre-wired, CWA HPF, core and coil with dry film capacitor and starter (if required).

MOUNTING FRAME

18 gauge CRS Universal Mounting Frame with feed through junction box. Fits between 16 centers and most ceiling systems to 1 3/4" thick.

CERTIFICATION

All units bear UL label. Made in U.S.A. Suitable for damp locations. ARRA and BAA compliant.

<u>MODEL</u>	<u>WATTAGE</u>	<u>TYPE</u>	<u>VOLTAGE</u>
R12V	50	PSMH –	120
	70	Pulse Start	277
	100	Metal Halide	480
	150		MULTI
	175		
	50	HPS –	
	70	High	
	100	Pressure	
	150	Sodium	
	42	CF –	
		Compact	
		Fluorescent	

OPTIONS

- SS** – Stainless Steel Trim Frame
- EM** – 90 Min. Remote Battery Back-Up (For Fluorescent Only)
- TP** – Tamperproof hardware
- GLR** – Single Fuse
- QZ** – Quartz Restrike
- FL** – Fresnel Glass Lens
- TG** – Tempered Prismatic Glass Lens (Standard)
- RG** – Regressed Prismatic Glass Lens
- AD** – Acrylic Prismatic Drop Lens
- PD** – Polycarbonate Prismatic Drop Lens



JOB NAME:
FIXTURE TYPE:
MODEL NO: