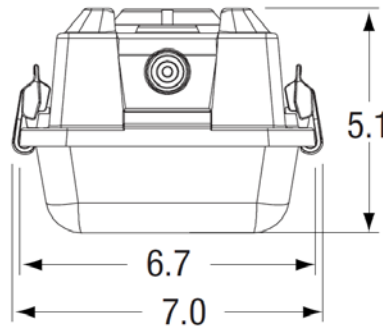


DIMENSIONS



Dimensions are subject to change. For critical applications, verify all dimensions with factory.



ORDERING

Available in 4' and 8' lengths, 1, 2 & 3 lamp T8, T5, and T5HO configurations. Weather resistant housing ideal for parking garages, food processing areas, refrigerated storage, marinas, or any area where moisture protection is required. Internal gear tray replaces traditional strip fixture insert, reducing both weight and expense. Poured in place gasket and latches seal the enclosures from most hostile environments. Polycarbonate or stainless steel latches. Tamperproof latches also available. For surface or pendant mounting. Optional stainless steel snap-in mounting brackets reduce installation time and eliminate mounting holes in fixture body. For individual or continuous row with optional watertight hubs.

<u>MODEL</u>	<u>LAMP QTY</u>	<u>WATTAGE/TYPE</u>	<u>VOLTAGE</u>
SPVT	1	32T8	120V 277V UNV
	2	28T5	
	2	54T5HO	
	2	32T8-8TD	
	4	28T5-8TD	
		54T5HO-8TD	

HOUSING

Heavy-duty unsaturated polyester housing with foamed in place gasketing. Flame class V-0, 5VA.

ELECTRICAL

Energy saving electronic ballasts comply with Federal Energy Efficiency standards. Ballasts are <10% THD and include 5 year manufacturer's warranty. Ballasts operate on 120V-277V (UNV) unless specified otherwise.

SHIELDING

Ribbed diffuser is molded of UV stabilized acrylic/DR blend to resist breakage and maintain flexibility. Optional polycarbonate diffuser available.

CERTIFICATION

All units bear UL label. Wet Location label for National Sanitation Foundation (NSF) Approval available. IP65 rated. IP67 rated when used with 8 latch configuration.

OPTIONS:

- EM** – Emergency
- SSL** – Stainless Steel Latches
- HUB** – Wet Location Hub
- TP** – Tamperproof Hardware
- SSMB** – Stainless Steel Mounting Brackets
- OC** – Factory Installed High Bay Occupancy Sensors
- SA95** – High Efficiency Specular Silver Reflector (93-95% Reflectance)
- POLY** – Polycarbonate Diffuser

JOB NAME:
FIXTURE TYPE:
MODEL NO:

