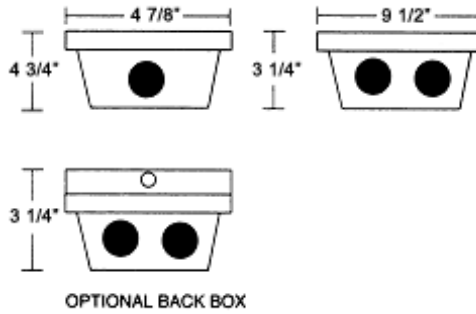


DIMENSIONS



Dimensions are subject to change. For critical applications, verify all dimensions with factory.



ORDERING

Available in 2' and 4' lengths in 1 and 2 lamp configurations, T8, T5, and BIAx. Ideal for correctional facilities, recreational areas, institutions, schools, and any area where vandalism is a concern. Wall or ceiling mount for indoors or outdoors. Optional neoprene gasket for dust, moisture, and insect resistance. Slotted screws are standard. Tamper screws are optional.

HOUSING

Heavy gauge die formed cold rolled steel with 1/4" holes and 7/8" KO for secure mounting.

ELECTRICAL

Energy saving electronic ballasts comply with Federal Energy Efficiency standards. Ballasts are <10% THD and include 5 year manufacturer's warranty. Ballasts operate on 120V-277V (UNV) unless specified otherwise.

SHIELDING

.177 thick multi-patterned injection molded polycarbonate lens with ultraviolet inhibitors to minimize discoloration and add strength.

FINISH

All parts standard with high gloss baked white enamel finish with minimum 89% reflectance applied over iron phosphate pretreatment for maximum adhesion and rust resistance.

CERTIFICATION

All units bear UL label. Made in U.S.A. Suitable for damp location. ARRA and BAA compliant. Optional Wet Location label with neoprene gasketing for ceiling mount only. Listed for damp location.

<u>MODEL</u>	<u>LENGTH</u>	<u>LAMP QTY</u>	<u>WATTAGE</u>	<u>VOLTAGE</u>
NMVA	2- 2' unit	1	17T8	120V
		2	14T5	277V
		1	BX40	UNV
	4- 4' unit	1	32T8	
		2	28T5	
		1	BX40	

OPTIONS

- EM** - Emergency
- DM** - Dimming
- COR** - Corner Mount Box
- GSK** - Neoprene Gasketing (for Wet Location)
- SC** - Surface Conduit Back Box
- TP** - Tamperproof Hardware
- TSD** - Tamperproof Screwdriver
- WL** - Wet Location Label (ceiling mount only)
- OC** - Integral Occupancy Sensor

JOB NAME:
FIXTURE TYPE:
MODEL NO:

